



PANASONIC ALARM MANAGER (PAM) FEATURE SHEET

Panasonic Alarm Manager (PAM) further enhances a Panasonic IP CCTV system by enabling advanced alarm handling between alarm sources and targets. PAM also allows for the integration with many third-party systems to create a very versatile and flexible alarm handling solution.

The main function of PAM is to be able to accept multiple alarm inputs simultaneously, and from those to be able to generate a number of subsequent actions. Alarm actions include camera preset calls, start recording, call video images to monitors* etc. PAM also has the functionality to be able to filter the alarms from any I/O source (inc. camera, recorder, intruder detection, etc) dependant on the time of day (schedules). For example, it will ignore activity in an internal corridor between 08.30 and 18.00 but will activate an alarm outside of these times. PAM provides instant verification of alarms from many sources.

This integration provides the end-user with quicker alarm response, visual identification of alarms or false alarms and sub-system reaction. (example: In the case of a fire alarm, PAM can select numerous cameras, call camera presets, start recording, switch on the lights in the area, display the live video to the operator along with audible notification of the alarm event.)

Panasonic Alarm Management software enables the integration of Third-party Alarm devices (Intruder, Access, Fire etc) with Panasonic CCTV systems. On receipt of the alarm signal PAM can provide:

- Filtering.
- Multiple alarm actions.
- Camera functions - e.g Preset position.
- Activation of alarm recording.
- Alarm messaging through to other devices.
- Audit trail.

PAM is integrated with most of the popular types of access control system including:-

- Honeywell
- ACT
- Controlsoft

PAM also includes support for Generic RS232 and Generic CGI which enables quick integration into many other third-party devices by simply entering the required commands.

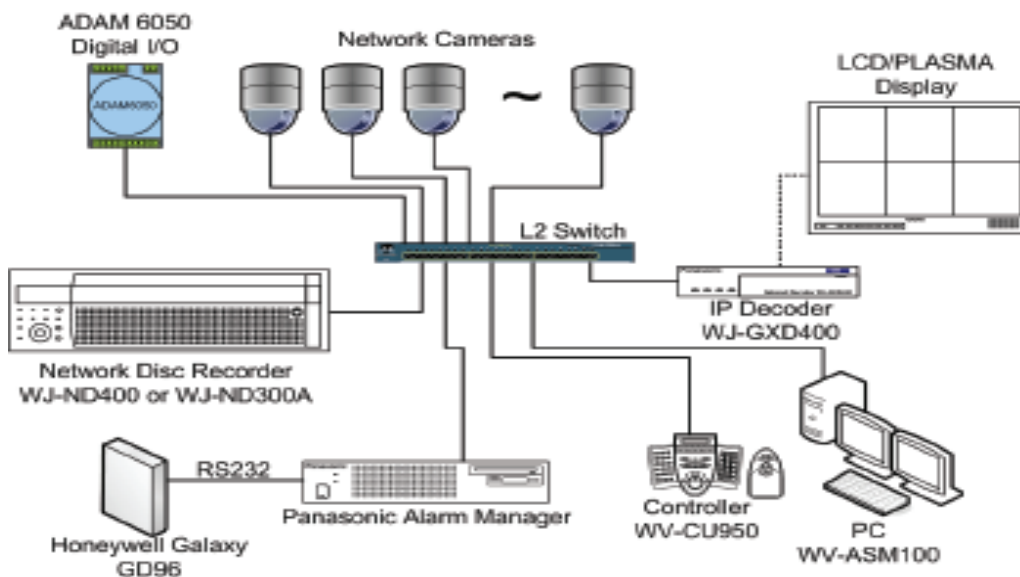


* When used in conjunction with Panasonic WJ-GXD400

SPECIFICATIONS

Supported Equipment	Cameras	Panasonic i-Pro series Network cameras and SmartHD cameras (max. 256 cameras)
	Recorders	WJ-ND400, WJ-ND300, WJ-ND200, WJ-NV200 (max. 5 recorders)
	Encoders	WJ-NT304, WJ-NT314, WJ-GXE500
	Decoders	WJ-GXD400 (max. 5 units)
	Digital Inputs	Advantech ADAM-6050 (max. 10 units)
	Intruder Detection	Honeywell Galaxy GD-96 (SIA-3 Serial protocol only) (max 10 Panels)
	Access Control	ACT 3000/4000 (max 1 server) Controlsoft (part number AC-6050-L, serial interface, max 1 server)
Function	Camera Control (camera dependant)	Preset position call (up to 256) Auto mode (SEQ, SORT, AUTO PAN,PATROL)
	Recorder Control (recorder dependant)	REC (only Digital Disk Recorder)
	Sequence Control	WJ-GXD400 - Call Group Preset, Call Group Sequence
	Panasonic Alarm Source	Panasonic alarm protocol via Camera and Encoder.
	Intruder Alarm Source	Panic alarm, Burglar Alarm, Tamper Alarm
	Access Control Alarm Source	Invalid card, Valid card, Door Forced, Door ajar, Exit etc.
	Alarm Action	Camera Preset, Camera tour, Camera Tracking, Start recording, Tour sequence, Group sequence
	Filters	10 Simultaneous time and day schedules
	Reports	Alarm Events, System Status Events
PC Specifications	Supported OS	Microsoft® Windows® 7 Professional 32-bit
	Required PC	CPU: Intel® Core 2 Duo processor, RAM: 1024 MB or more, Network: 10/100 Mbps, HDD: 80 GB or more free drive space, Monitor: 32-bit colours, 1,024 x 768 resolution Serial: 1x RS232

SYSTEM EXAMPLE



When purchasing the software only, make sure that the PC meets the minimum PC Specifications. Panasonic Alarm Manager should not be installed on a PC running any other applications. PAM is sold with one day's installation support included.

Panasonic
ideas for life

<http://panasonic.net/security/>