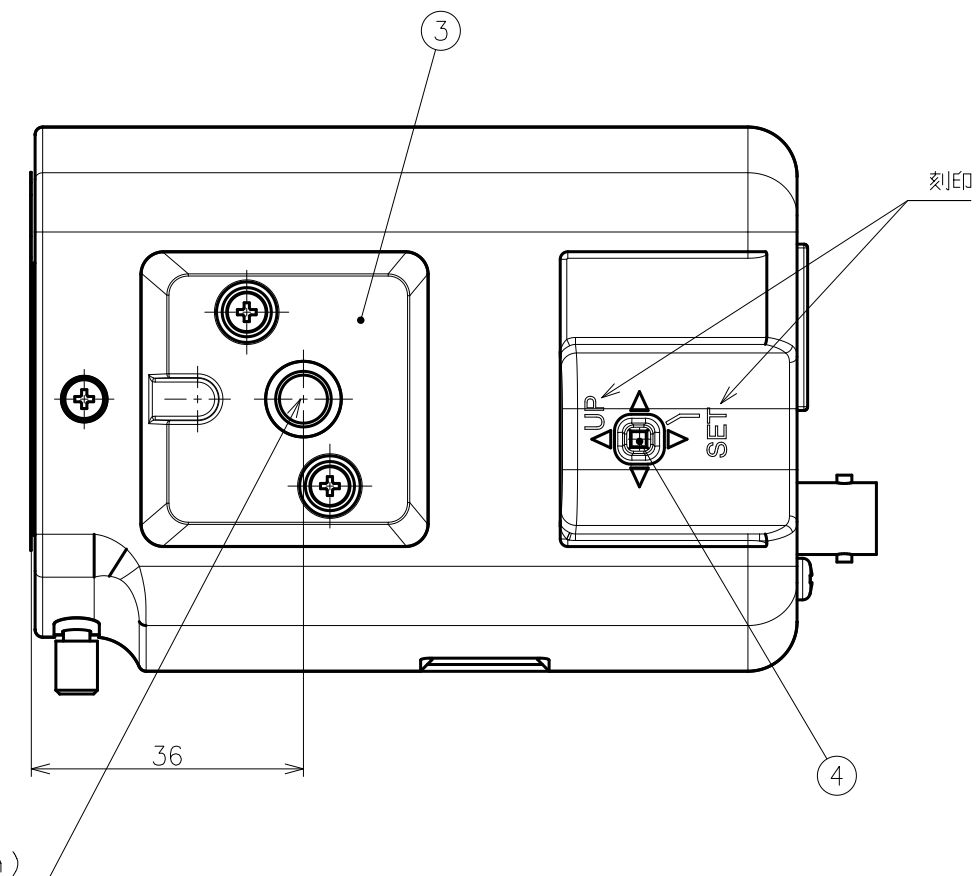
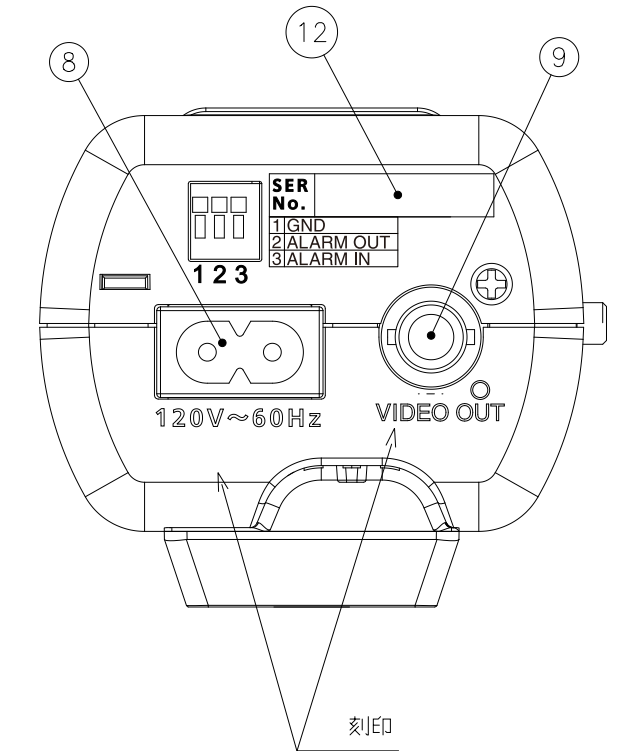
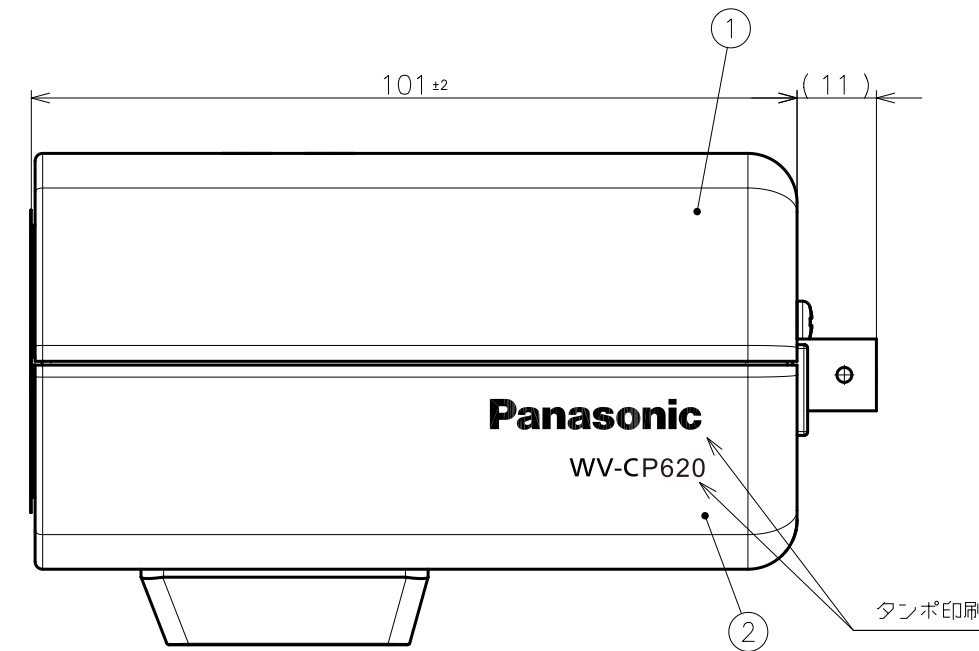
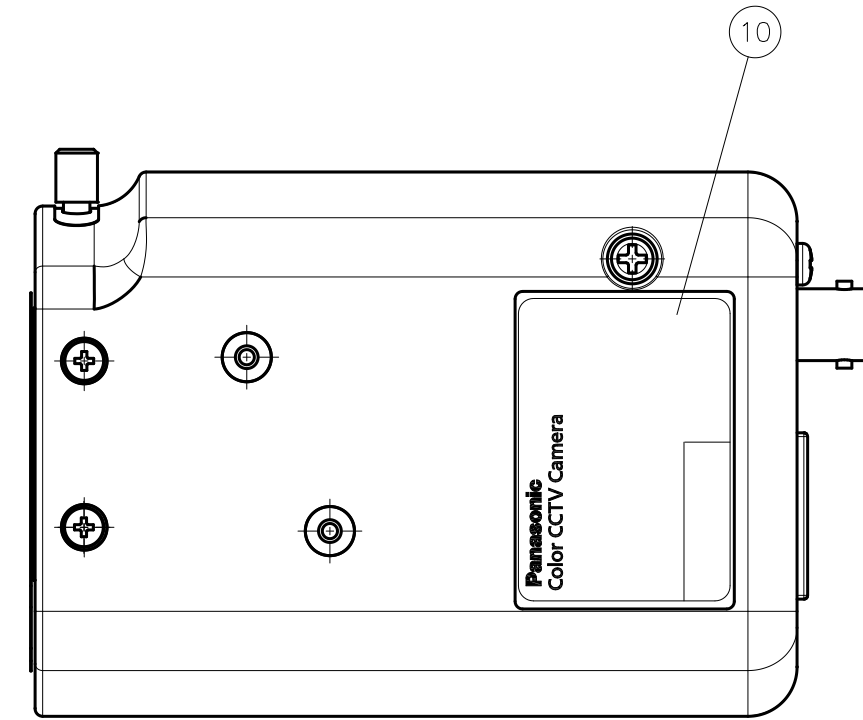
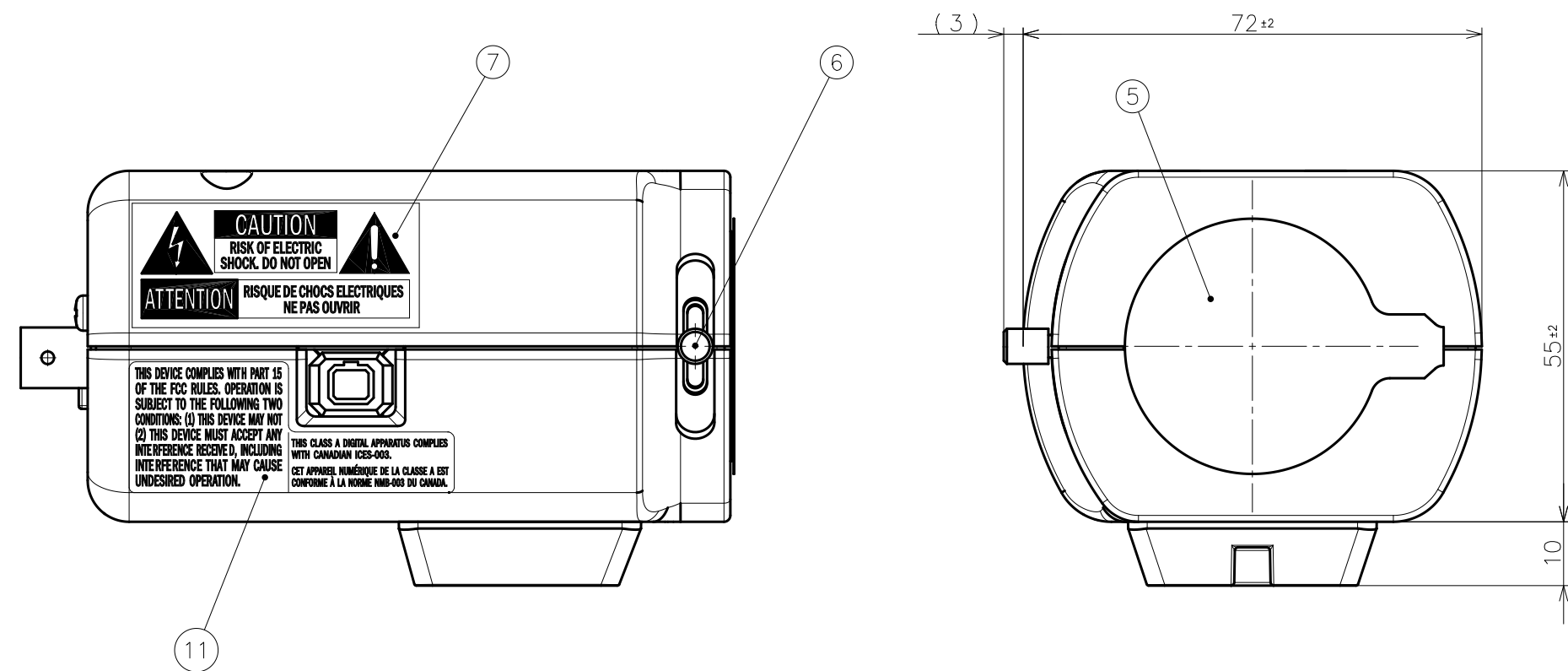


・パナソニックグループ化学物質管理ラック設計最新版(製品版)を遵守すること。
 URL:http://panasonic.co.jp/eco/topics/suppliers/
 ・Observe the Panasonic Group Chemical Substances Management Rank Guidelines latest version (For Products).
 URL:http://panasonic.net/eco/topics/suppliers/

SYM.	DATE	REVISION	SIGNED	CHECKED
△				
△				
△				
△				



SYM.	ITEM OR PARTS No.	NAME	QTY	MATERIAL & SIZE	TREATMENT	REMARK
12		Serial Number label	1	Polyester Film		
11		FCC/DOC label	1	Polyester Film		
10		NAME PLATE	1	Polyester Film		
9		VIDEO OUT Connector	1			
8		AC Receptacle	1			
7		CAUTION LABEL	1	Polyester Film		
6		FB LOCK SCREW	1	SWCH		
5		LENS MOUNT LABEL	1	PP FILM		
4		JOG SW CAP(Camera Set Up)	1	ABS (V-0)		
3		TORIPOD ATTACHMENT	1	ABS/PC		
2		LOWER CASE 220	1	ABS (V-0)		
1		UPPER CASE 220	1	ABS (V-0)		

1/4-20UNC for Tripod
(Depth 10mm)

Unit:mm

REMARK		Weight: APPROX.190g		MODEL	WV-CP620P
SCALE		MATERIAL & SIZE		PROCESS	
1:1	DESIGNED M.Shimada 2011.07.06	DRAWN A.Kato 2011.07.06	CHECKED Shimada	APPROVED sakigawara	NAME <外觀図>
					DRAWING/ Part NO. Page M-Mb1 of M-Mb1